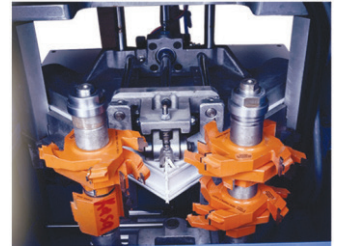
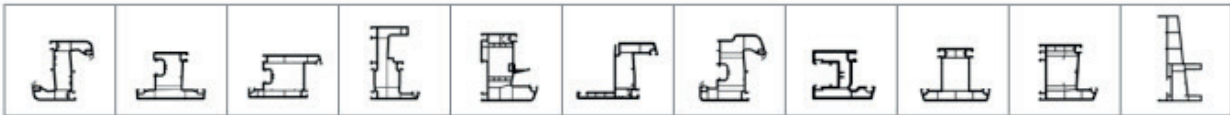


KT 504.4

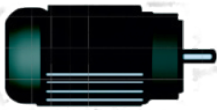
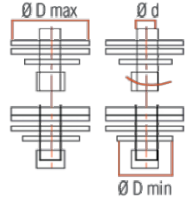
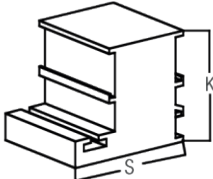

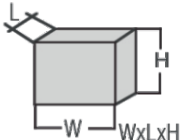



MACHINE SPECIFICATIONS

- Designed for cleaning processes of corner and surface of the plastic profiles after welding
- Specially alloyed aluminium table, strong sheet cabin, long-lasting electrostatic paint
- Pneumatic move, automatic running system
- Feature of automatic go-back of the process to the start point
- Secure cover switch at the back that prevents the machine running.
- Centering system that provides the profiles fitting properly to the 45 ° miter
- Automatic selection of blades for processes of 4 different profiles without changing blades
- Automatic fixing process of the clamps according to profile types
- Cabin bands which are adjustable to ground and isolate vibration
- Designed in accordance with the CE rules



TECHNICAL DATA

TECHNICAL FEATURES								
		BAR	Hava tüke. Air cons.					
KT-504/4	2 x 0.55 KW 400V 50Hz	Dmax=230 mm Dmin=80 mm D=32 mm	n=3000 RPM	S=100 mm K=90 mm	6-8 Bar	60 Lt/dak. Lt/min.	80x110x150 cm	200 kg