

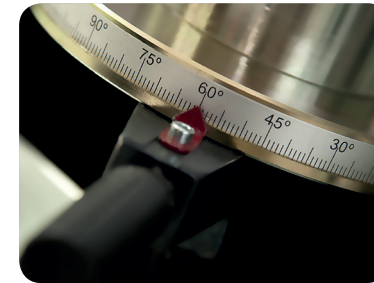
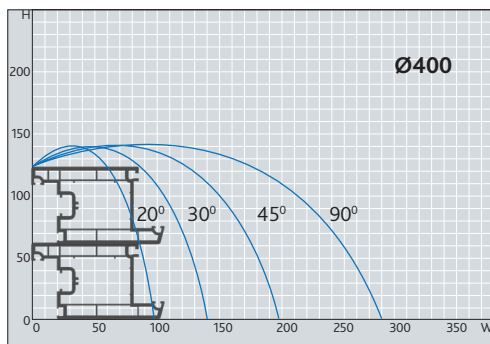
AA 1020

Single Head Mitre Saw for PVC



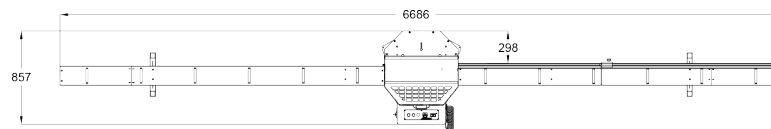
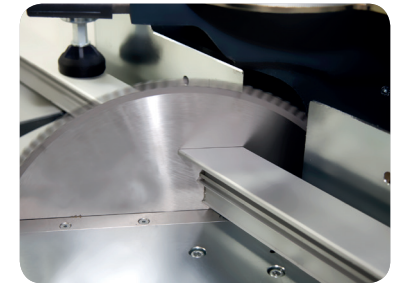
General Features

- Precise cutting of PVC profiles between 20° - 160° degrees.
- Precise angle adjustment with vertical bearing system.



- Support pins to fix the angles at 45° and 90° degrees.

- Upward saw.
- Adjustable saw progress speed.
- Maximum safety with cover safety key.
- Long-lived saw and vibration free operation thanks to cast saw cover.



<p>H: 1285 mm W: 6700 mm L: 890 mm</p>	<p>400 V L1-L2-L3-N-PE 50 / 60 Hz 1,5 kW</p>	<p>285 kg</p>	<p>6-8 Bar 5 l / Cycle</p>	<p>Ød: 400 mm</p>
--	--	---------------	--------------------------------	-------------------

Optional Equipments

<p>• PTR 200 Shelved Profile Trolley</p>	<p>• DS 530 L/R Digital Measuring System 4014 mm</p>	<p>• MS 100 L/R Man. Measuring System 3220 mm</p>	<p>• DS 100 L/R Man. Digital Measuring System 3220 mm</p>	<p>• DS 200 L/R Rotating Arm Digital Meas. System 3140 mm</p>
--	--	---	---	---